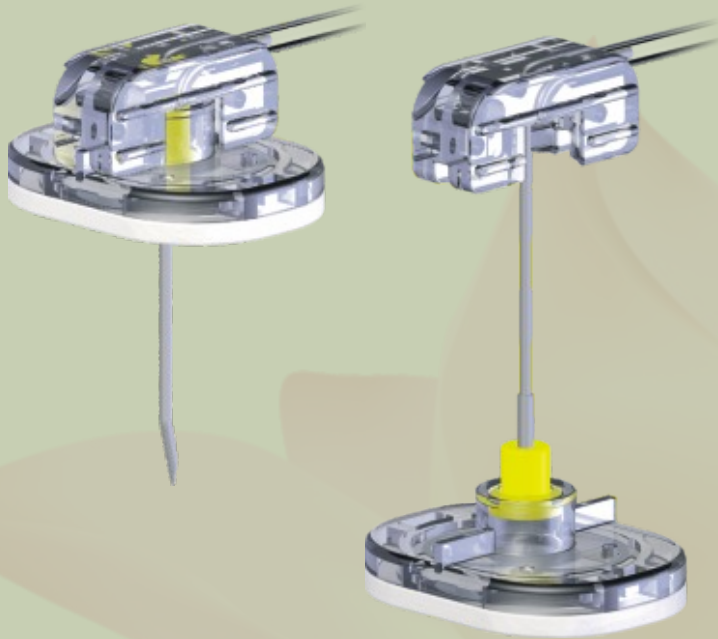


## *The Right Step for You and Your Patient*



- Simple to use
- Robust safety mechanism
- Easy visibility of access site
- Small footprint
- Non-absorbent patient comfort pad
- Non-coring needle
- Latex free
- Best overall value

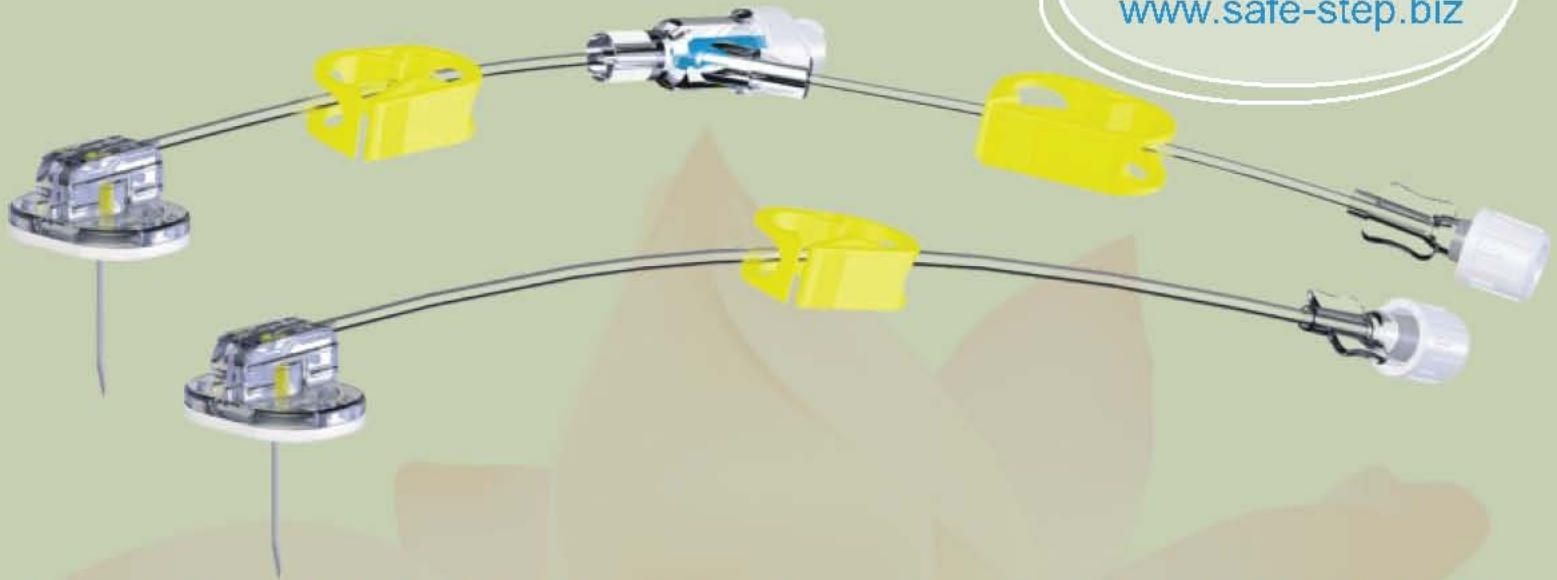


The lotus flower grows in muddy water and rises above the surface to bloom

with remarkable beauty. At night the flower closes and

sinks underwater, protecting itself; at dawn it rises and opens again.

Great inservice tools available at  
[www.safe-step.biz](http://www.safe-step.biz)



Questions? Call SafeStep® Customer Service at **1-800-306-3360**

SafeStep® is distributed  
 exclusively by

**I**nnovative  
**M**edical  
**S**ystems

5950 Shiloh Road East  
 Suite D  
 Alpharetta, GA 30005  
 (770) 886-8808  
 Fax (770) 886-8110  
 Toll Free 1 800 972-9705  
[www.innovativemedsys.com](http://www.innovativemedsys.com)

Description	Order Number	
19 gauge x 1/2	straight tubing	LH-0039
19 gauge x 1/2	with needleless y-site	LH-0039YN
20 gauge x 1/2	straight tubing	LH-0037
20 gauge x 1/2	with needleless y-site	LH-0037YN
22 gauge x 1/2	straight tubing	LH-0035
22 gauge x 1/2	with needleless y-site	LH-0035YN
19 gauge x 3/4	straight tubing	LH-0033
19 gauge x 3/4	with needleless y-site	LH-0033YN
20 gauge x 3/4	straight tubing	LH-0031
20 gauge x 3/4	with needleless y-site	LH-0031YN
22 gauge x 3/4	straight tubing	LH-0029
22 gauge x 3/4	with needleless y-site	LH-0029YN
19 gauge x 1	straight tubing	LH-0034
19 gauge x 1	with needleless y-site	LH-0034YN
20 gauge x 1	straight tubing	LH-0032
20 gauge x 1	with needleless y-site	LH-0032YN
22 gauge x 1	straight tubing	LH-0030
22 gauge x 1	with needleless y-site	LH-0030YN
19 gauge x 1 1/2	straight tubing	LH-0040
19 gauge x 1 1/2	with needleless y-site	LH-0040YN
20 gauge x 1 1/2	straight tubing	LH-0038
20 gauge x 1 1/2	with needleless y-site	LH-0038YN
22 gauge x 1 1/2	straight tubing	LH-0036
22 gauge x 1 1/2	with needleless y-site	LH-0036YN